



MODELS
45 RAD
45 RADK
45 RADK



General Safety and Maintenance Manual



Erickson style collet Angle Grinder for mounted stones and carbide burrs.

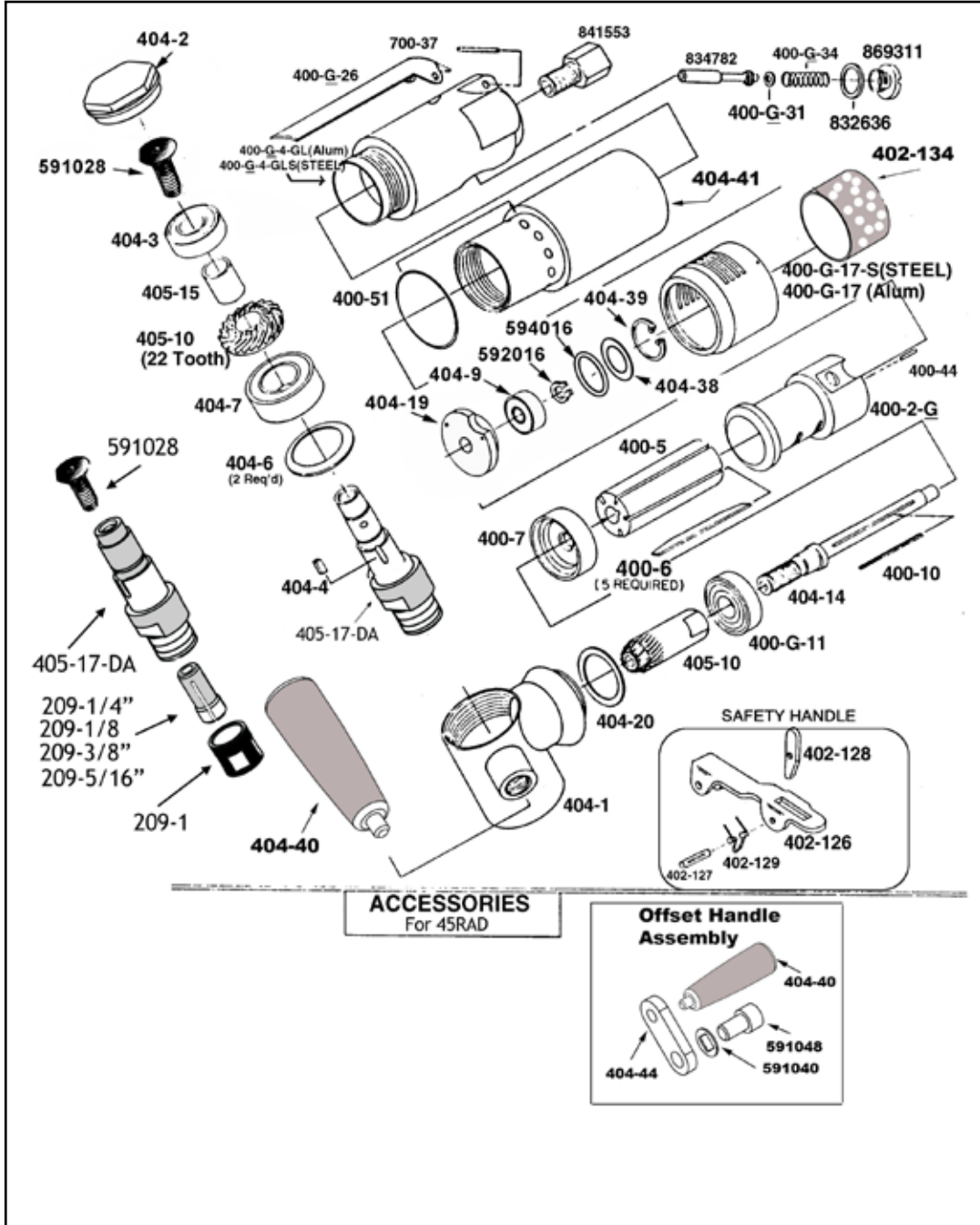
Model Number	Exhaust Direction	Throttle Type	Speed	Power Output	Case Material	Weight		Length	Diameter	Air Consumption	Spindle Thread
						Aluminum	Steel				
45RAD	Side	(L) Lever or (K) Safety Lever	12000 to 14000 R.P.M (13500rpm is standard)	0.9 H.P. (675 W)	Steel or Aluminum	2 ½ lbs 1.1kg	3.5 Lbs (1.6 Kg)	8 5/16"- 211mm	1 ¾" 4.4cm	25 CFM (11.8 L/S)	Erickson Style Collet
45RADK											Erickson Style Collet
45RADK											Erickson Style Collet
45RADSK											Erickson Style Collet

THE HENRY TOOL CO., MANUFACTURED BY HENRY TOOLS
498 SO. BELVOIR BLVD., SOUTH EUCLID, OH 44121 U.S.A.
PH: (216) 291-1011 OR (800) 826-5257 • FAX: (216) 291-5949 OR (800) 303-2800
EMAIL: DAVIDH@MSN.COM • WEBSITE: WWW.HENRYTOOLS.COM



MODELS
45 RAD
45 RADS
45 RADK

Model 45RAD angle grinder with Erickson style collet featuring easily interchangeable collet insert sizes.



HENRY TOOLS, INC. Ph: (216) 291-1011 or (800) 826-5257



MODELS 45 RAD 45 RADS 45 RADK

Model 45RAD angle grinder with Erickson style collet featuring easily interchangeable collet insert sizes.

1. General Industry Safety & Health Regulations, Part 1910, OSHA 2206, available from: Sup't of Documents; Government Printing Office; Washington DC 20402
2. Safety Code for Portable Air Tools, ANSI B186.1 available from: American National Standards Institute, Inc.; 1430 Broadway; New York, NY 10018
3. State and Local regulations.
4. Portions of the above codes and regulations are listed below for quick reference.

THESE EXCERPTS ARE NOT INTENDED TO BE ALL INCLUSIVE - STUDY AND COMPLY WITH ALL REGULATIONS!

1. Always turn off the air supply and disconnect the air supply hose before installing, removing or adjusting any accessory on this tool, or before performing any maintenance on this tool.
2. After mounting a wheel or other abrasive accessory, the Grinder shall be run in a protected enclosure, at gradually increasing speed, for at least 60 seconds. When starting work with a cold wheel, apply it gradually to the workpiece until it becomes warm. Do not continue to use a grinder if:
 - The speed rating of the accessory is less than the speed of the grinder
 - If tool vibrates repair immediately.
 - You sense changes in tool speed or an unusual increase in noise that would indicate tool is running at excessive speed.
 - You notice excessive end play in spindle
 - You hear any unusual sound from grinder

RETURN THE TOOL TO THE TOOL CRIB FOR SERVICE IMMEDIATELY.

3. Make certain no one is in front of or in line with the wheel or other abrasive accessory. Be aware that it may fail at this time if it is defective, improperly mounted or the wrong size and speed. Stop immediately if considerable vibration or other defects are detected. Shut off the air supply and determine the cause.
4. **OPERATOR PROTECTIVE EQUIPMENT** - Wear goggles or face shield at all times tool is in operation. Other protective clothing shall be worn, if necessary. SEE REGULATIONS.
5. Keep hands, loose clothing and long hair away from rotating end of tool.
6. Anticipate and be alert for sudden changes in motion during start up and operation of any power tool.
7. Keep body stance balanced and firm. Do not overreach when operating this tool. High reaction torques can occur at or below the recommended air pressure.
8. Tool accessories may continue to rotate briefly after throttle is released.
9. Air powered tools can vibrate in use. Vibration, repetitive motions or uncomfortable positions may be harmful to your hands and arms. Stop using any tool if discomfort, tingling feeling or pain occurs. Seek medical advice before resuming use.
10. This tool is not designed for working in explosive atmospheres. Do not use this tool on materials whose dust or fumes can cause a potentially explosive environment.
11. This tool is not insulated against electric shock.
12. Product Safety information - When Placing the Tool in Service

• NEVER MODIFY ANY PART OF THIS TOOL!!!!

Always install, operate, inspect and maintain this product in accordance with all applicable standards and regulations (local, state, country, federal, etc.).

- Always use clean, dry air at 90 psig (6.2 bar/620 kPa) maximum air pressure at the inlet. Higher pressure may result in hazardous situations including excessive speed, rupture, or incorrect output torque or force.
- Be sure all hoses and fittings are the correct size and are tightly secured.
- Install a properly sized Safety Air Fuse upstream of hose and use an anti-whip.
- Always turn off the air supply, bleed the air pressure and disconnect the air supply hose before installing, removing or adjusting any accessory on this tool, or before performing any maintenance on this tool or any accessory.
- Ensure that the grinding wheel or other abrasive accessory is correctly mounted and tightened before use.
- Always replace a damaged, bent or severely worn wheel guard. Do not use a wheel guard that has been subjected to wheel failure.

- Guard opening must face away from the operator. Bottom of wheel must not project beyond guard.

• DO NOT MODIFY THE TOOL, SAFETY DEVICES, OR ACCESSORIES.

- Use accessories recommended by Henry tools.
- Do not use this tool if the actual free speed exceeds the rated rpm. Check the free speed of the Grinder before mounting a wheel, after all tool repairs, before each job and after every 8 hours of use. Check speed with a calibrated tachometer, without the abrasive product installed.
- Do not use any wheel or other abrasive accessory whose maximum operating speed, as defined by its manufacturer, is less than the rated speed of the Grinder.
- Inspect all grinding wheels for chips or cracks prior to mounting. Do not use a wheel that is chipped, cracked or otherwise damaged.
- Inspect arbor, threads & clamping devices for damage & wear prior to mounting wheel or other abrasive accessory.
- Do not use a grinding wheel that has been exposed to freezing temperatures, extreme temperature changes, high humidity, solvents, water or other liquids.
- Make certain grinding wheel or other abrasive accessory properly fits the spindle. The wheel should not fit too snugly or too loosely. Plain hole wheels should have about .007" (0.17 mm) maximum diametral clearance. Do not use reducing bushings to adapt a wheel to any arbor unless such bushings are supplied by and recommended by the wheel manufacturer.
- Always use the wheel flanges furnished by the manufacturer and appropriate for the wheel size and type. Never use a makeshift flange or plain washer. Flanges should be in good condition and free of nicks, burrs and sharp edges.
- Ensure that the thread type and size of the threaded abrasive product exactly matches the thread type and size of the spindle.
- Prevent the spindle end from touching the bottom of the hole of cups, cones or plugs with threaded holes, intended to be mounted on machine spindles, by comparing dimensions and other relevant data for them.
- Do not use an unguarded grinder unless used for internal work and only operated when the work offers protection.